

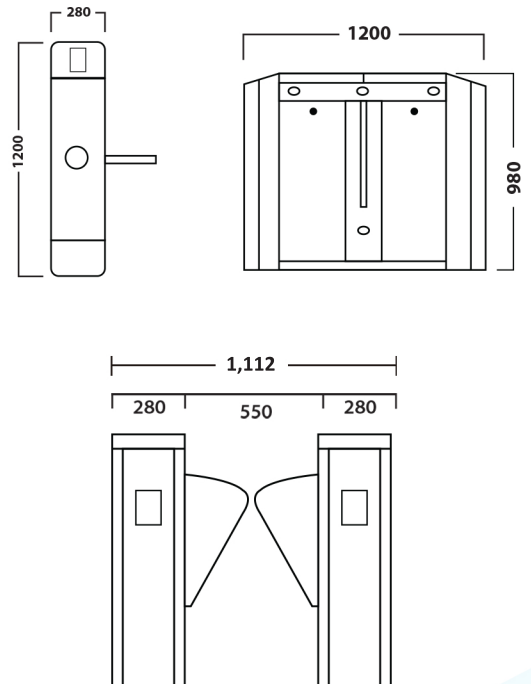
Flap Barrier

FB-E-2000



Specification

Power Requirements : 100~240V AC
Working Temperature : -28OC to 60OC
Working Humidity : 5%~80%
Working Environment : Indoor/outdoor (if sheltered)
RFID : Maximum 35/ minute
Fingerprint : Maximum 25/ minute
Face : Maximum 11/ minute
Vein : Maximum 23/ minute
Lane width(mm) : 550
IP rating : IP44
Input : Dry Contact
Unlock Time : 0.2 sec
Dimensions(mm) : L=1200, W=280, H=980
Net Weight(kg) : 52 kg(single machine)
87kg(double machine)
LED Indicator : Yes
Cabinet Material : SUS304 Stainless Steel
Lid Material : SUS304 Stainless Steel
Barrier Material : Transparent Acrylic light (Red, Green & Blue)
Barrier Movement : Retracting
Emergency Mode : Yes
Security Level : Medium
MCBF : 3 million



Disclaimer: Brief specifications are mentioned here. Specifications may change without prior notice. Customers are advised to check with us before purchase.

Actual product may differ slightly to that depicted for ongoing product development

www.esslsecurity.com