

# Removable Bollard

## RB-219



### Specification

Material : 304 Stainless steel

Thickness : 3/6mm

Ambient temperature : -25°C ~ 70°C

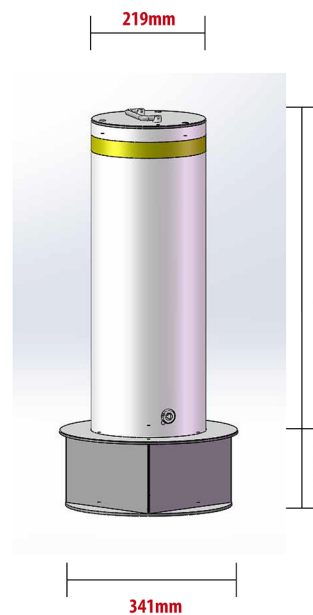
Enclosure rate : IP68

Cylinder : 219mm with 3M reflective stripe

Height above ground : 600mm

Dimension : 219mm X 745mm

### Dimension



Disclaimer: Brief specifications are mentioned here. Specifications may change without prior notice. Customers are advised to check with us before purchase. Actual product may differ slightly to that depicted for ongoing product development

[www.esslsecurity.com](http://www.esslsecurity.com)