

Crank Arm Swing Door Motor

SDO-PK23

Specification

Input voltage 100V ~240V

motor rated voltage. 24VDC

motor rated power. 40W

motor rated current $2.8A \pm 10\%$

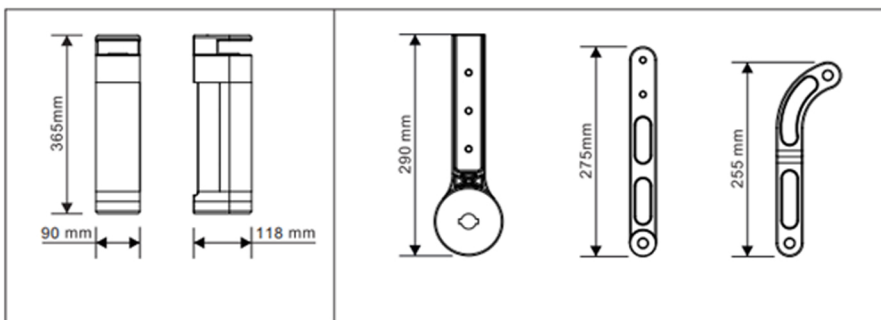
motor rated speed $3000rpm \pm 10\%$

Maximum single door length 1.5m

Maximum single door weight 150kg

Operating temperature $-20C \sim +55^{\circ}C$

Waterproof rating IP 54



Disclaimer: Brief specifications are mentioned here. Specifications may change without prior notice. Customers are advised to check with us before purchase. Actual product may differ slightly to that depicted for ongoing product development

www.esslsecurity.com